



QUBE ~ FLEX ~ SWIPE

Board Level Shielding

3G Shielding Specialties offers a complete lineup of standard and custom board level shielding products. Our comprehensive selection of one-piece, two-piece and multi-zone shields are available in both surface mount and through-hole styles. By utilizing 3G's unlimited design flexibility and many standard product features, engineers have the ability to modify or customize board level shielding to solve any application. You specify the shield style and choose from a list of standard features and our expert engineers join your team to develop your board level shielding solution. 3G is where customization is standard.

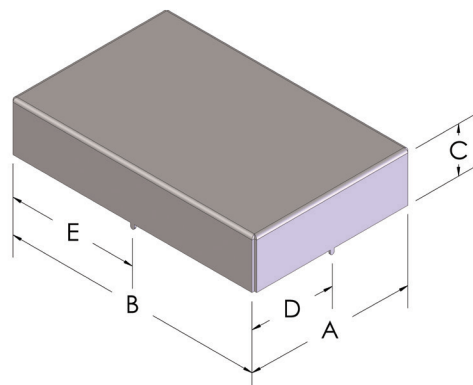
BOARD SHIELD – STANDARD PRODUCT FEATURES

- Unlimited design flexibility
- Variety of material options
- Many surface mount and pin styles
- Standard trace relief notches
- Superior cover retention
- Excellent shielding performance
- Fully welded frame construction
- Ventilation holes (top or sides)
- PIC-Spot for tape and reel automation
- RoHS compliant

STANDARD ONE-PIECE SHIELDS

QUBE

The QUBE is a one-piece board level shield designed for surface mount or through hole applications. These shields are supplied with standard alignment pins to insure proper PCB placement. These shields are ideal for price sensitive applications where accessibility to components are not required. The QUBE shields are fully compatible with all brands of automated assembly PCB clips.



Part	Width (A)	Length (B)	Height (C)	D	E
QBE-S-301	0.500 (12.70)	0.750 (19.05)	0.100 (2.54)	0.250 (6.35)	0.375 (9.53)
QBE-S-302	0.650 (16.51)	1.100 (27.94)	0.125 (3.18)	0.325 (8.26)	0.550 (13.97)
QBE-S-303	0.800 (20.32)	1.250 (31.75)	0.250 (6.35)	0.400 (10.16)	0.625 (15.88)
QBE-S-304	1.000 (25.40)	1.125 (28.58)	0.200 (5.08)	0.500 (12.70)	0.562 (14.27)
QBE-S-305	1.100 (27.94)	2.000 (50.80)	0.250 (6.35)	0.550 (13.97)	1.000 (25.40)
QBE-S-306	1.500 (38.10)	1.500 (38.10)	0.190 (4.83)	0.750 (19.05)	0.750 (19.05)
QBE-S-307	1.750 (44.45)	2.500 (63.50)	0.500 (12.70)	0.875 (22.23)	1.250 (31.75)

*Material is 0.012" thick Tin Plated Steel Bright Finish.

*If Nickel Silver material is preferred change S in part number to N (Example: QBE-N-301)



3G SHIELDING
SPECIALTIES

www.3Gshielding.com
sales@3Gshielding.com
813-626-8333
Tampa, Florida

QUBE~FLEX~SWIPE

Board Level Shielding

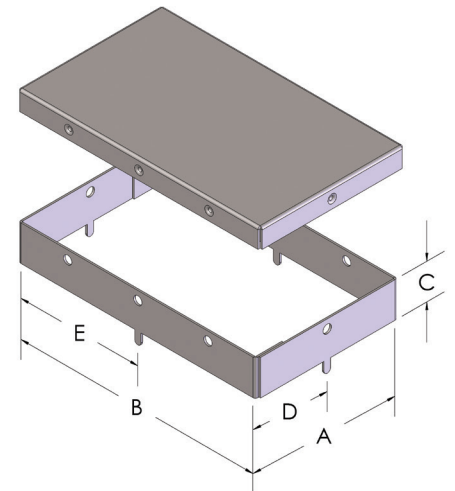


STANDARD TWO-PIECE SHIELDS

FLEX

The FLEX is a two-piece board level shield constructed of a frame and a removable cover for the greatest component accessibility. The fully welded frame offers superior shielding performance and excellent cover retention. The FLEX is 3G's most widely used board level shield and offers engineers unlimited design flexibility with virtually no size limitations. The FLEX shields are designed for both surface mount and through hole applications.

Part	Width (A)	Length (B)	Height (C)	D	E
FLX-S-401F FLX-S-401C	0.750 (19.05)	1.000 (25.40)	0.100 (2.54)	0.375 (9.53)	0.500 (12.70)
FLX-S-402F FLX-S-402C	0.900 (22.86)	1.300 (33.02)	0.125 (3.18)	0.450 (11.43)	0.650 (16.51)
FLX-S-403F FLX-S-403C	1.000 (25.40)	1.700 (43.18)	0.250 (6.35)	0.500 (12.70)	0.850 (21.59)
FLX-S-404F FLX-S-404C	1.250 (31.75)	1.250 (31.75)	0.300 (7.62)	0.625 (15.88)	0.625 (21.59)
FLX-S-405F FLX-S-405C	1.500 (38.10)	1.750 (44.45)	0.350 (8.89)	0.750 (19.05)	0.875 (22.23)
FLX-S-406F FLX-S-406C	2.000 (50.80)	2.000 (50.80)	0.250 (6.35)	1.000 (25.40)	1.000 (25.40)
FLX-S-407F FLX-S-407C	2.250 (59.15)	2.500 (63.50)	0.500 (12.70)	1.125 (28.58)	1.250 (31.75)



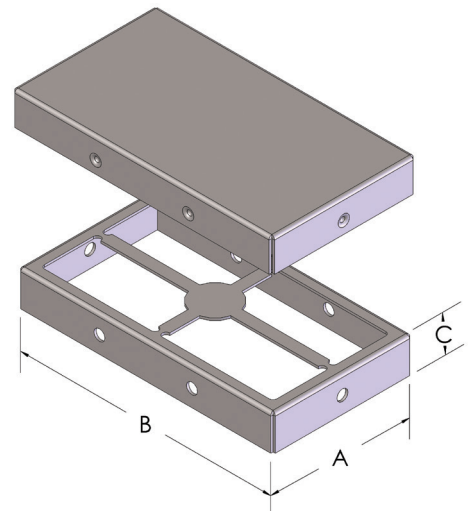
*Material is 0.012" thick Tin Plated Steel Bright Finish.

*If Nickel Silver material is preferred change S in part number to N (Example: FLX-N-401F)

SWIPE

The SWIPE shield is a two-piece frame and cover board level shield designed for surface mount applications. The rigid frame design provides structural support and comes standard with a PIC-Spot feature for pick & place automation. This unique shield design allows engineers full design flexibility to create any size surface mount shield for prototypes which can easily transition to high volume production.

Part	Width (A)	Length (B)	Height (A)
SWP-S-501F SWP-S-501C	0.750 (19.05)	1.375 (34.93)	0.190 (4.83)
SWP-S-502F SWP-S-502C	0.900 (22.86)	1.750 (44.45)	0.150 (3.81)
SWP-S-503F SWP-S-503C	1.000 (25.40)	1.000 (25.40)	0.100 (2.54)
SWP-S-504F SWP-S-504C	1.250 (31.75)	2.250 (57.15)	0.165 (4.19)
SWP-S-505F SWP-S-505C	1.500 (38.10)	1.500 (38.10)	0.225 (5.72)
SWP-S-506F SWP-S-506C	1.750 (44.45)	2.000 (50.80)	0.200 (5.08)



*Material is 0.012" thick Tin Plated Steel Bright Finish.

*If Nickel Silver material is preferred change S in part number to N (Example: SWP-N-501F)

