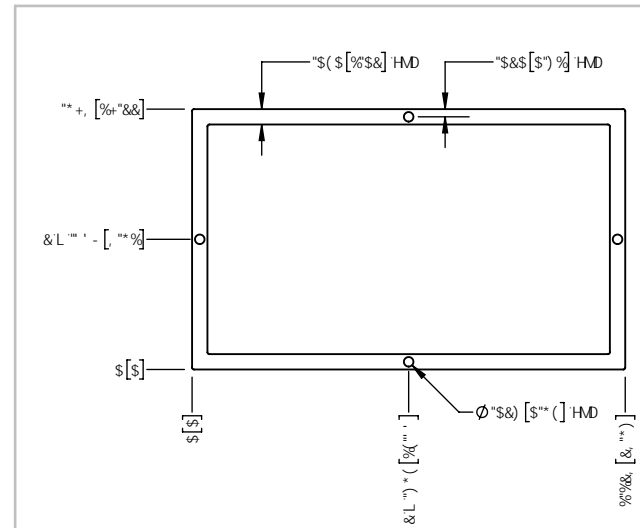
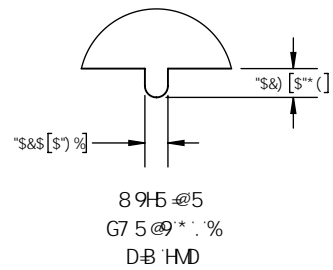
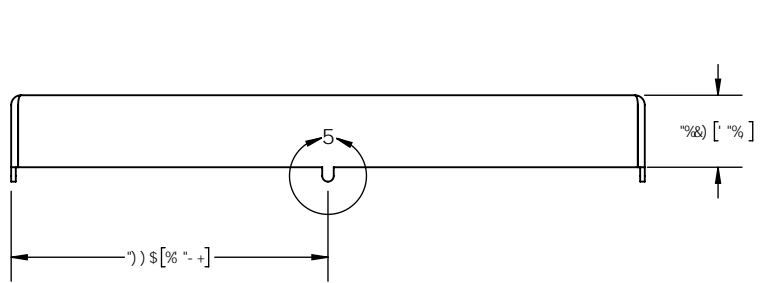
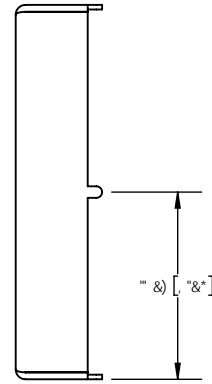
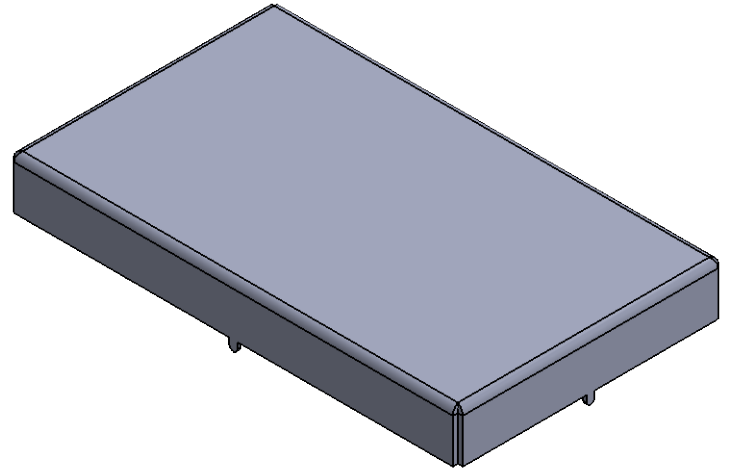


BC H9G

A 5 H9F -5 @ '\$%'&'HB 'D@5 H98 'G+99@6F ÷ <H: B G<



D7 6: CCHDF-BH

PROPRIETARY NOTICE: THESE DRAWINGS, LISTS OR SPECIFICATIONS ARE THE CONFIDENTIAL INFORMATION AND/OR TRADE SECRETS OF 3GMETALWORX INC., AND ISSUED IN STRICT CONFIDENCE...

IB@9GC.H:9FK 49 CD97 =96
I #A LC @9 SB 7 9
B7 <9G ss'ss)



D5FHBI A 69F F9J"
E 69G' \$& \$
8 9G7 F-DHC B E I 69
G7 5 @9 ' .% G<99H %C : %