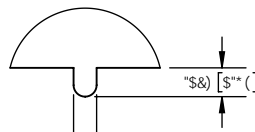
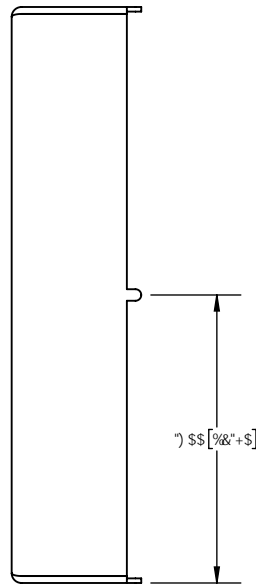
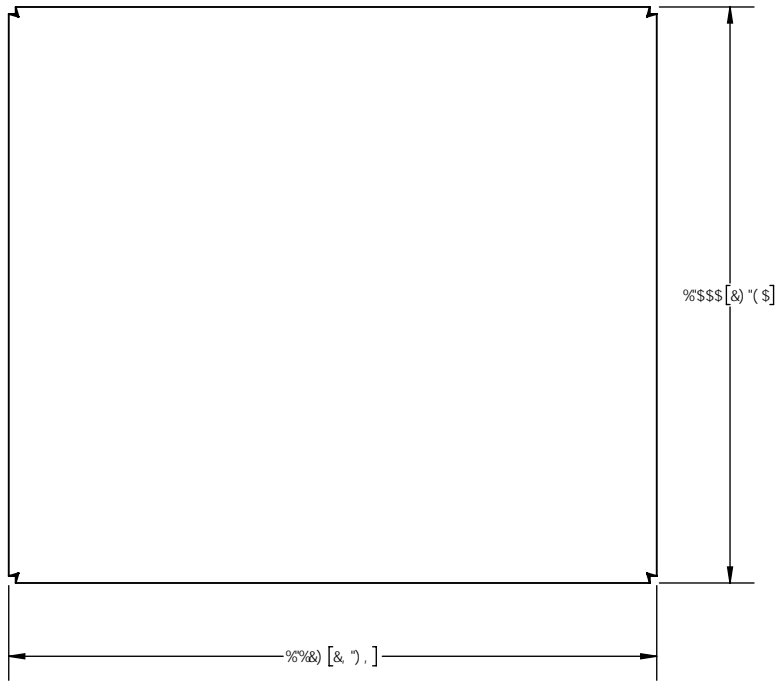
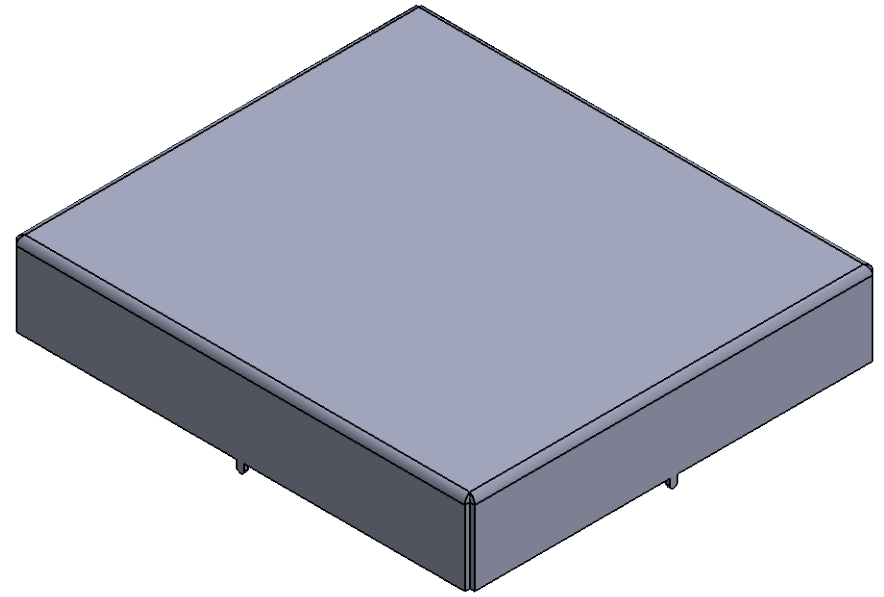
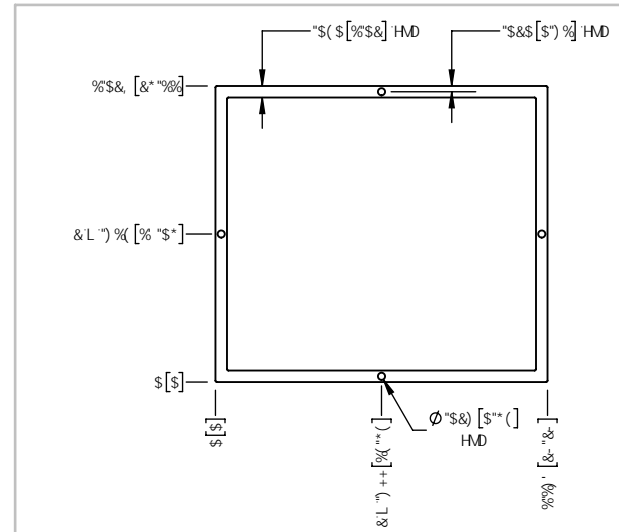


BC H9G

% A 5 H9F -5 @ "\$%&" HB 'D@5 H98 'G+99@6F ÷ <H: B G<



8 9 5 @ 5
G 7 5 @ * : %
D-B HMD



D76: CCHDF-BH

PROPRIETARY NOTICE: THESE DRAWINGS, LISTS OR SPECIFICATIONS ARE THE CONFIDENTIAL INFORMATION AND/OR TRADE SECRETS OF 3GMETALWORX INC., AND ISSUED IN STRICT CONFIDENCE. EXCEPT AS AUTHORIZED BY 3GMETALWORX IN WRITING, THESE DRAWINGS, LISTS OR SPECIFICATIONS SHALL NOT BE REPRODUCED, RE-TRANSMITTED, USED FOR THE DESIGN, MANUFACTURE OR SALE OF EQUIPMENT OR USED FOR ANY OTHER PURPOSE OTHER THAN EVALUATION.

1 B @9G C H: 9F K 49 CD97 = 96
I #A H C @9F SB 7 9
"B 7 < 9G "S S S S



D5FHBI A 69F F9J "
E 69 G' \$(\$
8 9 G 7 F - D H C B E I 6 9
G 7 5 @ 9 ' . % G < 9 9 H % C : %



FC < G
7 C A D H E B 7 9
8 5 3 9 9 4 7 # 9 1

85HP

% ! \$ % & *

&

%