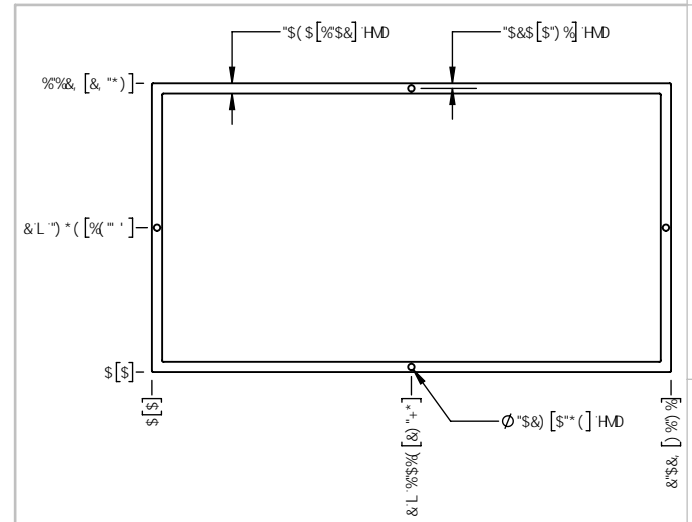
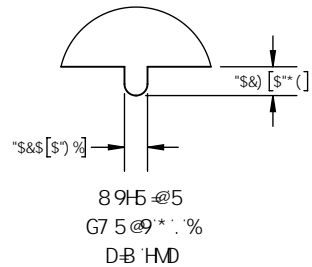
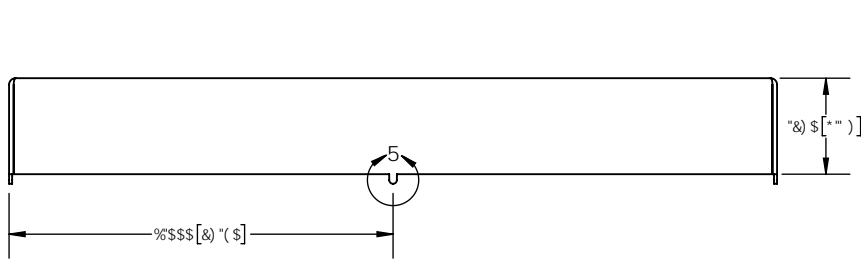
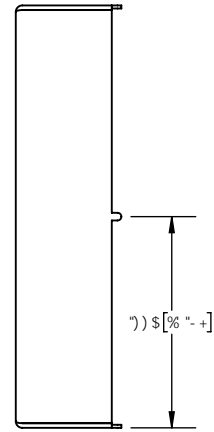
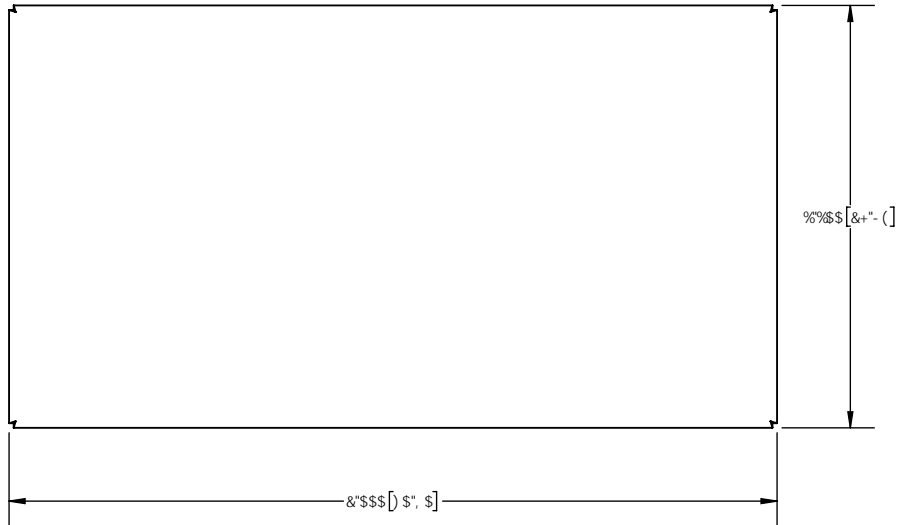
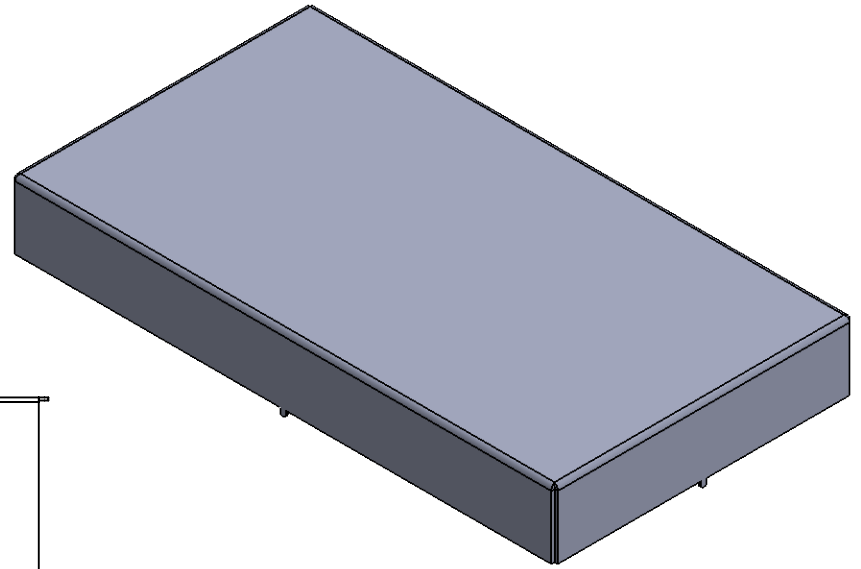


BC H9G

A 5 H9F 5 @ "\$%&" HB 'D@5 H98 'G+99@6F ÷ <H: B G<



D76: CCHDF-BH

PROPRIETARY NOTICE: THESE DRAWINGS, LISTS OR SPECIFICATIONS ARE THE CONFIDENTIAL INFORMATION AND/OR TRADE SECRETS OF 3GMETALWORX INC., AND ISSUED IN STRICT CONFIDENCE. EXCEPT AS AUTHORIZED BY 3GMETALWORX IN WRITING, THESE DRAWINGS, LISTS OR SPECIFICATIONS SHALL NOT BE REPRODUCED, RE-TRANSMITTED, USED FOR THE DESIGN, MANUFACTURE OR SALE OF EQUIPMENT OR USED FOR ANY OTHER PURPOSE OTHER THAN EVALUATION.

IB @9GC H: 9FK 49 CD97 = 96
I #A LC @9 SB 7 9
B7 < 9G \$S'S\$)
FC < G
7CA D96B 7 9
8539947 #91



D5FHBI A 69F F91"
E 69G' \$) \$
8 9G7 F-DHC B E I 69
G7 5 @9 & % G< 99H %C : %