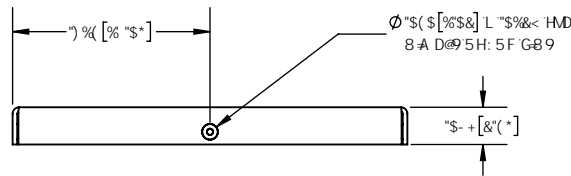
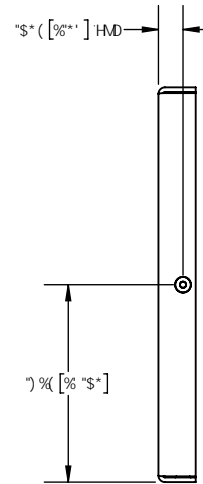
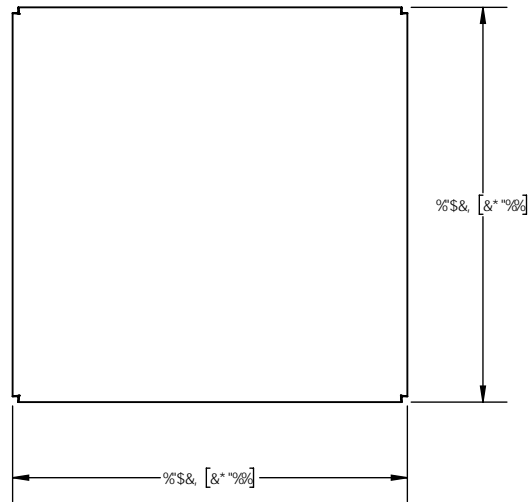
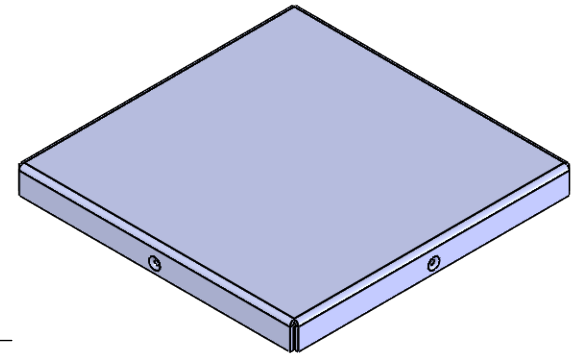


BC H9G

% A 5 H9F -5 @ "\$" %& " HB 'D@5 H98 'G H99@6F ÷ <H: B-G<



PROPRIETARY NOTICE: THESE DRAWINGS, LISTS OR SPECIFICATIONS ARE THE CONFIDENTIAL INFORMATION AND/OR TRADE SECRETS OF 3GMETALWORX INC., AND ISSUED IN STRICT CONFIDENCE. EXCEPT AS AUTHORIZED BY 3GMETALWORX IN WRITING, THESE DRAWINGS, LISTS OR SPECIFICATIONS SHALL NOT BE REPRODUCED, RE-transmitted, USED FOR THE DESIGN, MANUFACTURE OR SALE OF EQUIPMENT OR USED FOR ANY OTHER PURPOSE OTHER THAN EVALUATION.

IB@9GC H:9FK 49 CD97 =98 I #A LC @9 5B 7 9 B 7 <9G ±\$S\$)	FC<G 7CA D95B 7 9 85994*) #91
85HP	%!\$%&*



D5FHBI A 69F	F9J "
GK D(G) \$' 7	\$
8 9G7 F-DHC B	GK -D9
G7.5 @9 &.%	G<99H %C : %